

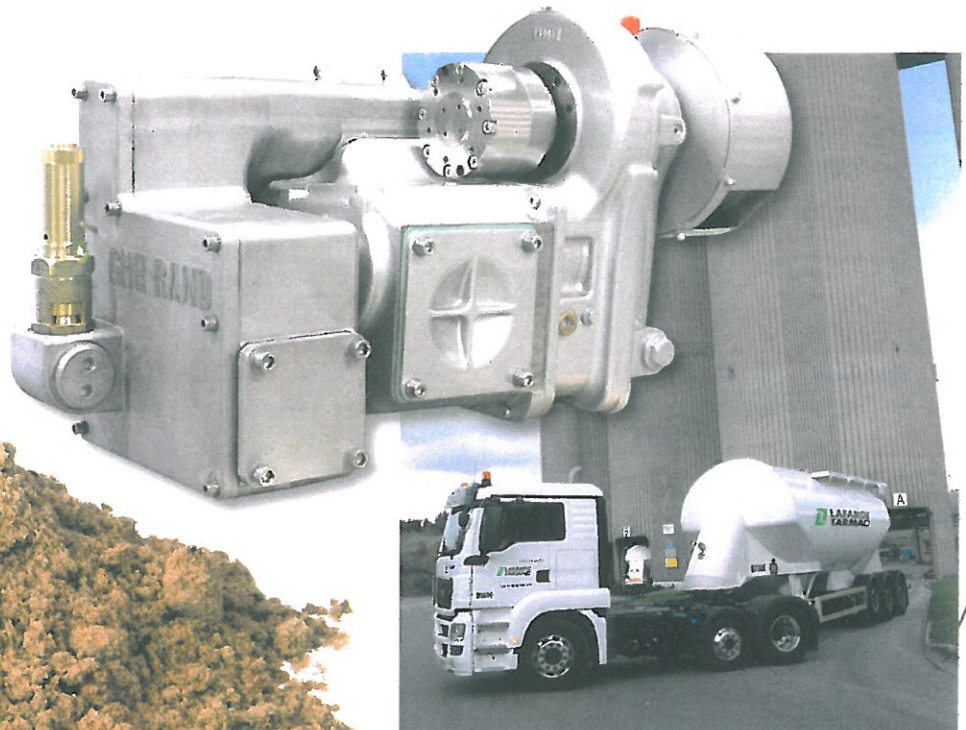
GHH RAND®

ALCOMET BVBA
Mosten 9 - 9160 Lokeren
Tel.: 09 / 328 04 36 * Fax: 09/ 328 04 93
BTW BE 0475.222.794
HR GENT 199.794
Rek.nr.BE88 7374 1366 6041
BIC: KREDBEBB



CS580 & CS750 Light

These two solutions expand the proven CS1200 concept. The CS580 (developed for dense phase conveying) and the CS750 (for medium to lean phase like granules) extend the **within-chassis family** enabling the fitment of discharge equipment into all major European trucks including those with restricted chassis space. The upper rear input drive shaft position guarantees ease of installation, low service and long life.

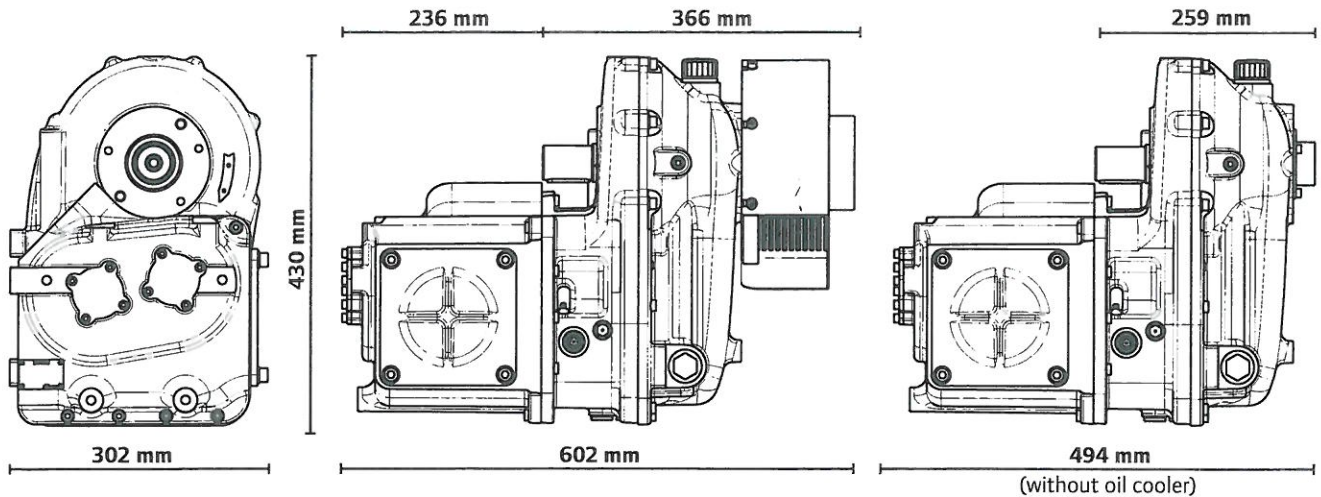


Highlights

- Next generation SILU® oil free screw compressor range from market leader GHH RAND.
- Simple low cost installation through a geometrically optimised airend.
- High reliability from proven design concept.
- Payload reduction resulting from Euro 6 regulations that add up to a 100kg to trucks: Our reduced weight helps compensating this!
- New technology discharge silencer.
- Optimised rotor profile offering low frequency and low noise operation.
- Safety friction coupling for gearbox protection.

GHH RAND®

CS580 & CS750 Light



Technical data

Models	Unit	CS580 Light		CS750 Light	
		Min.	Max.	Min.	Max.
Suction volume compressor airend	m ³ /h	421	569	516	744
Input speed	min ⁻¹	1450	1800	1350	1800
Power consumption compressor airend	kW	31	39	36	49
Max. discharge pressure	bar(g)	2.5			
Weight compressor airend	kg	108 (without oil cooler) / 112 (with oil cooler)			
Total weight Light package	kg	approx. 165			
Measurements Light package	LxWxH cm	860/745* x 352 x 430**			

*Package with remote oil cooler; **Height up to bottom of truck chassis; Medium: air, suction temperature: 20°C, suction pressure: 1 bar (abs.)

Your advantages

- High reliability and long life supported by optimised drive shaft angle.
- Long life and easy starting after standstill due to corrosion-free rotors.
- Product safety: Food-grade coating of rotors in combination with Silol FG lubricant and absolute oil free compression of air thanks to patented sealing system.
- Integrated oil cooling distribution allowing continuous operation. Lubrication piping designed integral within airend reducing risk of external damage.
- External oil cooler as an option, further reduces the space required for airend installation.
- Additional chassis rail space available for tanks or other equipment.
- FEM-calculated steel bracket for safety and longevity.
- Flexibility of installation due to:
 - comprehensive kit of ancillary components including vehicle specific mounting brackets,
 - dual suction inlet ports,
 - option for close coupled hydraulic drive.



GHH RAND Schraubenkompressoren GmbH

Customer Center Tanker Solutions

Max-Planck-Ring 27 • 46049 Oberhausen • Germany

Phone +49 (0) 208 9994-0 • Fax +49 (0) 208 9994-179

tanker-solutions@ghhrand.com • www.ghhrand.com

